



# SF22 CUSTOM PUMPER

*Ready  
to Ship*



## A QUICK DELIVERY CUSTOM PUMPER

The HME Ahrens-Fox SF22 sits at the core of the custom pumper product line and strikes a unique balance of performance, durability, value and availability.

### STANDARD FEATURES

- ◆ 1871-W MFDxl cab (100" width) with a 12" raised roof
- ◆ Cummins L9 450 HP
- ◆ 1000 Gallon water tank (integrated foam tank)
- ◆ Hale Qmax pump (1500 GPM)
- ◆ 222.5 cu. ft. total compartment volume
- ◆ On-beam ladder storage (in body)
- ◆ 24" extended bumper
- ◆ 3-year warranty

A CUSTOM PUMPER – FASTER



**Body Construction**

- ◆ Stainless steel body with bolted fastening system for increased strength and ease of repair

**Configuration**

- ◆ Full and split depth compartments with multi-purpose trays that offer increased storage and easier access to equipment

**Body Design**

- ◆ Corners designed for improved sectional strength and durability. Scene lights are recessed to reduce damage and gear snags



- ◆ Internal ladder storage (on-beam)

- ◆ Proven pump module: Hale Qmax (1500 GPM)

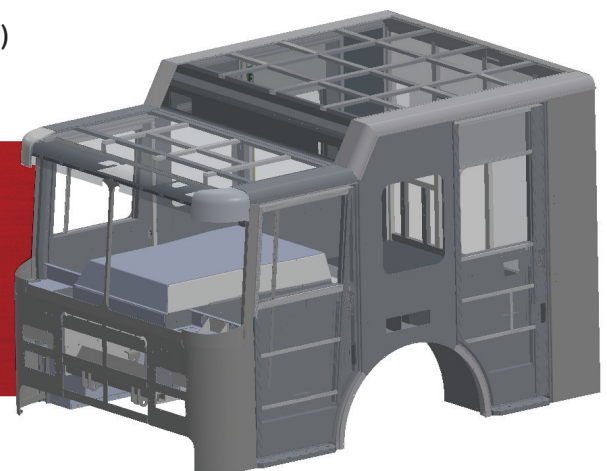
**CUMMINS L9**

450 HP



**ALUMINUM CAB CONSTRUCTION**

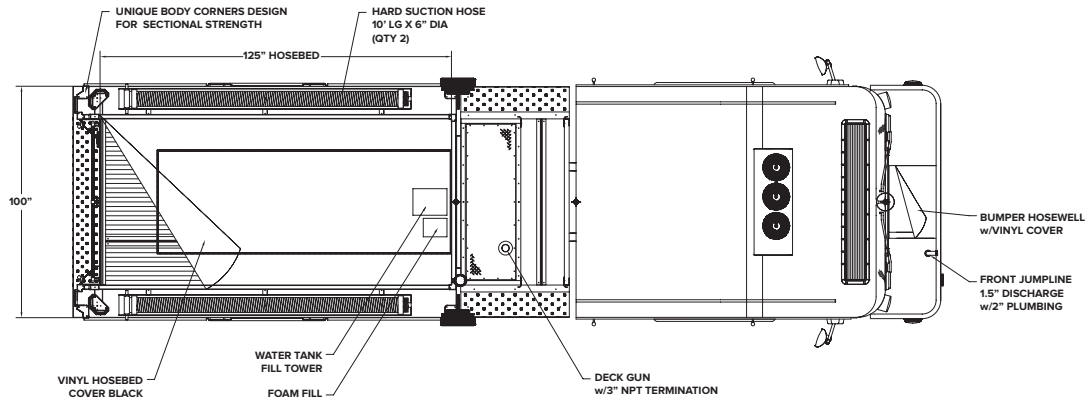
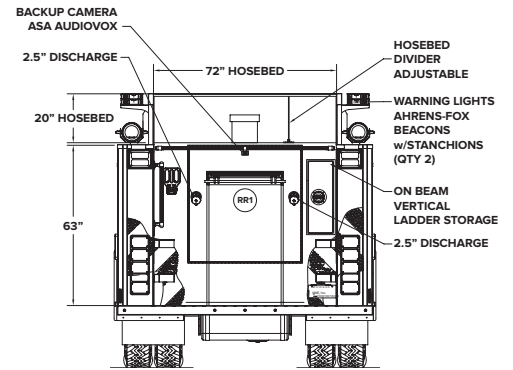
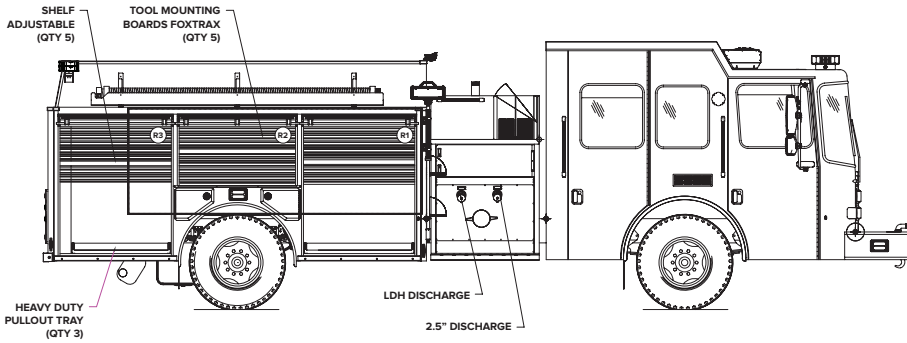
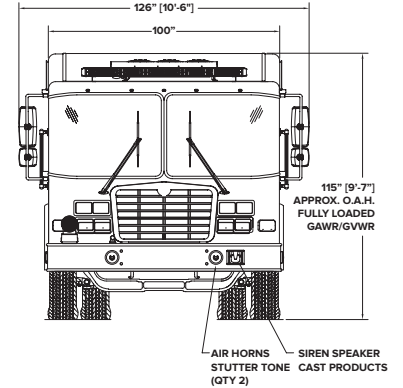
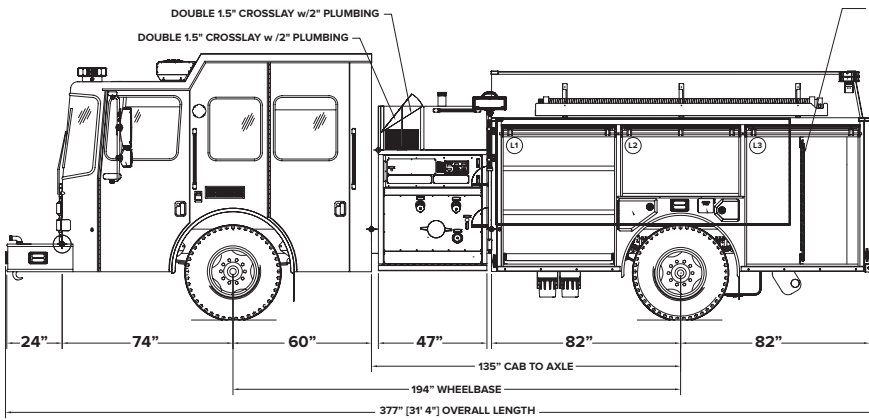
Rugged cab design with superior construction methodology for occupant survivability



# SF22

# Ready to Ship

## A CUSTOM PUMPER – FASTER



HME Ahrens-Fox  
1950 Byron Center Ave SW  
Wyoming, MI 49519  
616.534.1463

[FIRETRUCKS.COM](http://FIRETRUCKS.COM)



LEARN  
MORE





HME Ahrens-Fox  
1950 Byron Center Ave SW  
Wyoming, MI 49519  
616.534.1463

**FIRETRUCKS.COM**

